

# Micro Joystick

#4-1413 McGill Road  
 Kamloops B.C. Canada V2C 6K7  
 Ph: (250) 374-2278

Fax: (250) 374-1099  
 Toll Free: 1-800-831-2278  
 www.suregripcontrols.com



## Micro Joystick★ Description

The Micro Joystick is a miniature Proportional Hall Effect joystick with only 3 moving parts. Designed for exposed application, this simple thumb operated joystick provides an additional 2 axis of proportional control within a control grip faceplate. (★ Patent Pending)

Part #: MJS-P2

Operation: Dual axis, spring return

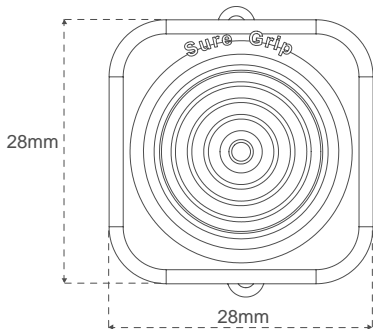
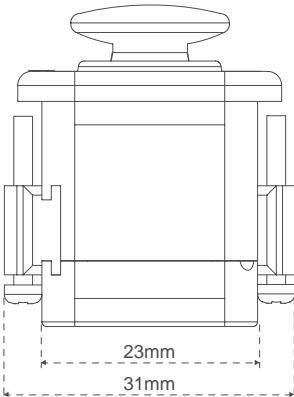
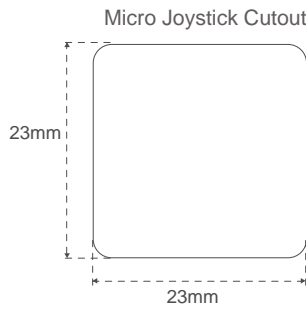
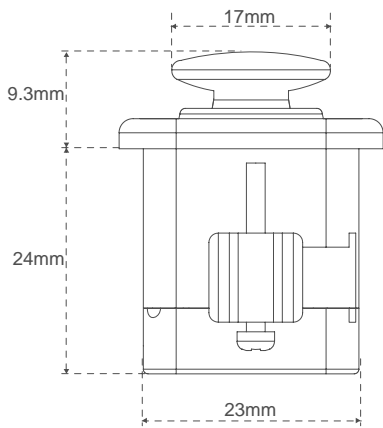
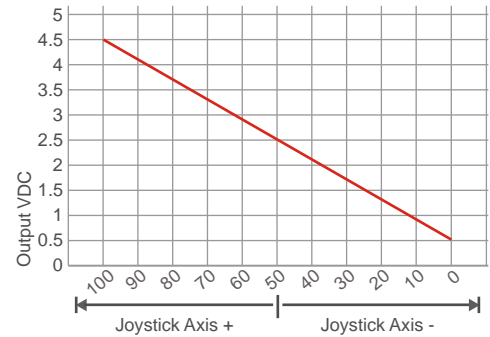
Input Voltage: 5 VDC @ 30ma

Output: 0.5 - 2.5 - 4.5 VDC (+/- 0.2)

Rating: IP-66 (above panel)

Travel: +/- 14°

Micro Joystick Travel Output VDC



Dual Axis Proportional Micro Joystick is installed in "J" Series control handle

