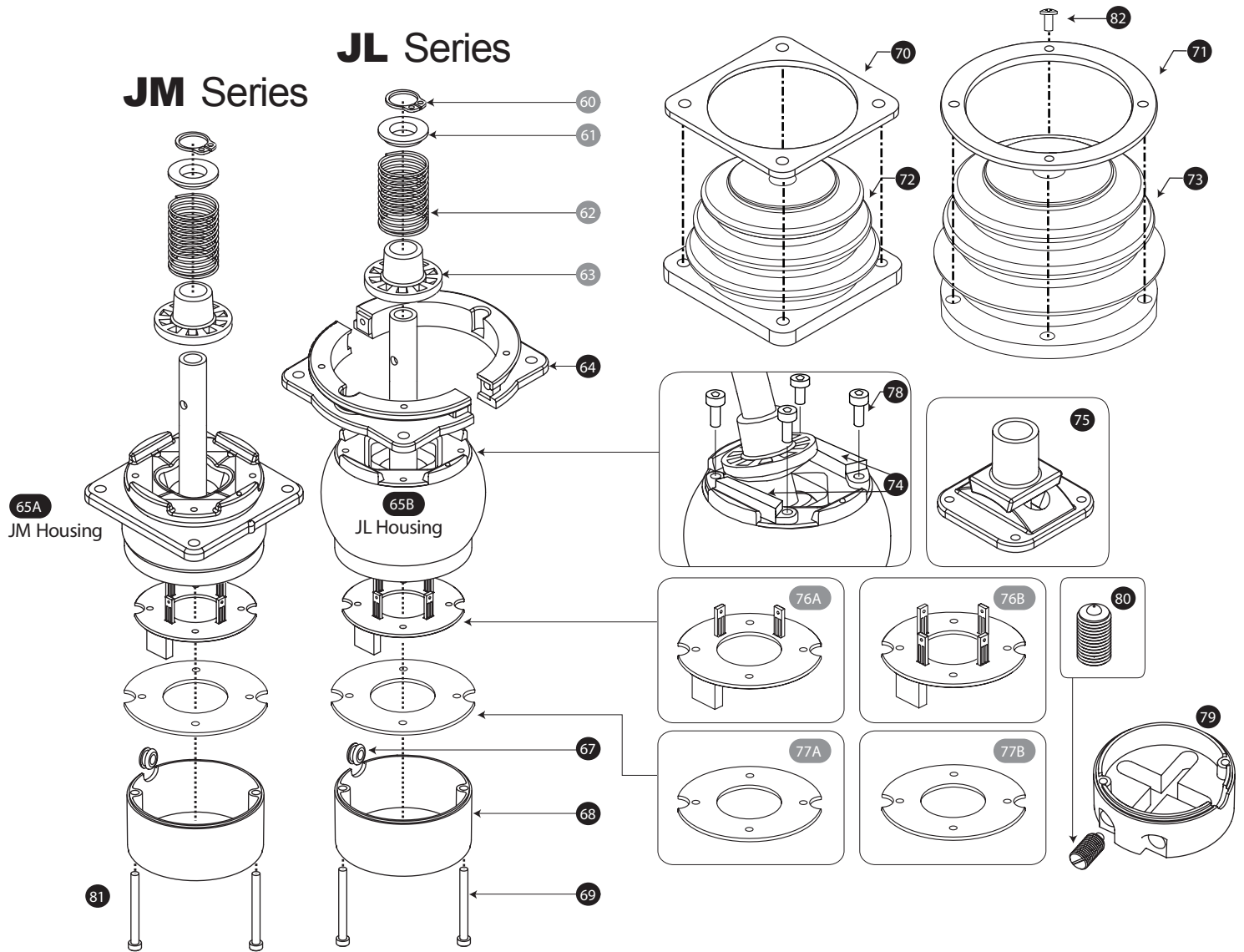


# Joystick Parts List

#4-1413 McGill Road  
Kamloops B.C. Canada V2C 6K7  
Ph: (250) 374-2278

Fax: (250) 374-1099  
Toll Free: 1-800-831-2278  
www.suregripcontrols.com

**SURE GRIP**  
CONTROLS INC.



● Serviceable at Factory Only    † Used in Assy. Above

FLG	PART#	DESCRIPTION	FLG	PART#	DESCRIPTION
62	SP-07Spring	JM/JL Joystick	71	JL-15	JL Boot Ring
63	JL-108JM/JL	Joystick:CenteringShoe	72	BT-14	JM Joystick Boot R1
64	JL-109-A	JL Joystick: Adjustable Bracket		SC-50	† Washer
65A	JM-110	JM Joystick: 12mm Shaft-Ball Assembly	73	BT-15	JL Joystick Boot R1
	JM-103	† JM Joystick: Lower Housing (Included in Assy.)		SC-50	† Washer
	SC-34	† 6-32 x 3/4" Flat Head Screw, Stainless (Included in Assy.)	74	JL-107-A	Joystick: Single Axis Guide Kit
	PN-3x16	† Pin: 3mm x 16mm (Included in Assy.)	75	FG-S1	Joystick Friction Guide Set
68	JL-102	† JM Joystick: Housing Cover (Included in Assy.)	76A	CC-J01-A	JM/JL Joystick: Sensor Board, Dual Axis
65B	JL-110	JL Joystick: 12mm Shaft-Ball Assembly	76B	CC-J01-X4-A	JM/JL Joystick: Switched Board, Dual Axis Redundant
	JL-103	† JL Joystick: Lower Housing (Included in Assy.)	77A	CC-J-L2-A	JM/JL Joystick: Switched Board, Low current
	SC-34	† 6-32 x 3/4" Flat Head Screw, Stainless (Included in Assy.)	77B	CC-J-H2-A	JM/JL Joystick: Switched Board, High current
	PN-3x16	† Pin: 3mm x 16mm (Included in Assy.)	78	SC-25	6-32 x 3/8" Socket Cap Screw, Stainless JL-107-A
68	JL-102	† JL Joystick: Housing Cover (Included in Assy.)	79	JL-102 Gated	JM/JL Gated Joystick Housing Cover
67	GR-01	3/8" x 1/4" Grommet	80	SC-43	† Spring Plunger: 3/8" x 5/8" High Force
69	SC-33	6-32 x 1.25" Cap Screw, Stainless	81	SC-40	† 6-32 x 1 3/8" Cap Screw, Stainless
70	JM-14	JM Boot Ring	82	SC-51	Screw