

550.0062

“J” SERIES HANDLE

Technical Information



SURE GRIP
CONTROLS INC.™

#4 -1413 McGill Road Kamloops BC Canada V2C 6K7
Ph: 250-374-2278 Fax: 250-374-1099
www.suregripcontrols.com

“J” Series Handle Technical Information

“J” Series Handle

The “J” Series Industrial Control Grip is our newest mid-size grip designed specifically to be used with our new JL/JM Joysticks. We have designed a new look and feel into this grip which makes it just as comfortable and ergonomically friendly when supplied with the rounded blank faceplate or with a fully switched faceplate.

It can be ordered as a blank grip, with 2 or 4 Sure Grip switches in the faceplate or optional trigger switch. Its color can be black or grey. It is the standard handle for the JL / JM series joysticks but can also be supplied with a 12mm x 1.25 threaded male pin for installation on customer's joysticks. The groove at the bottom of the handle is designed for a 1.5" (37mm) boot opening.

Our unique design also gives us the flexibility to install a variety of customer-specified toggles, push-buttons, Proportional modules, LED's and other switch options in this grip.

“J” Handle Specifications

Dimensions:	7" x 3" x 2" wide
Switch Pack:	Blank, 2, or 4 switches
Trigger:	No trigger or single trigger
Weight:	150 grams (5 oz.)
Overlay:	Embossed .007" polyester
Case:	1/8" thick, heavy wall ABS, available in grey or black
Mounting Pin:	1" diameter, 6061 aluminum
Wire:	Standard 2' @ 20 gauge
Switch Rating:	5 amps (Standard silver contact)
Switch Life:	10 million mechanical 2.5 million @ 500 mA DC (typical)
Bushings:	10 mm - 5/8" (internal threads)

“J” Handle Faceplate Options

Custom faceplates with your logo, colors and in structions available.

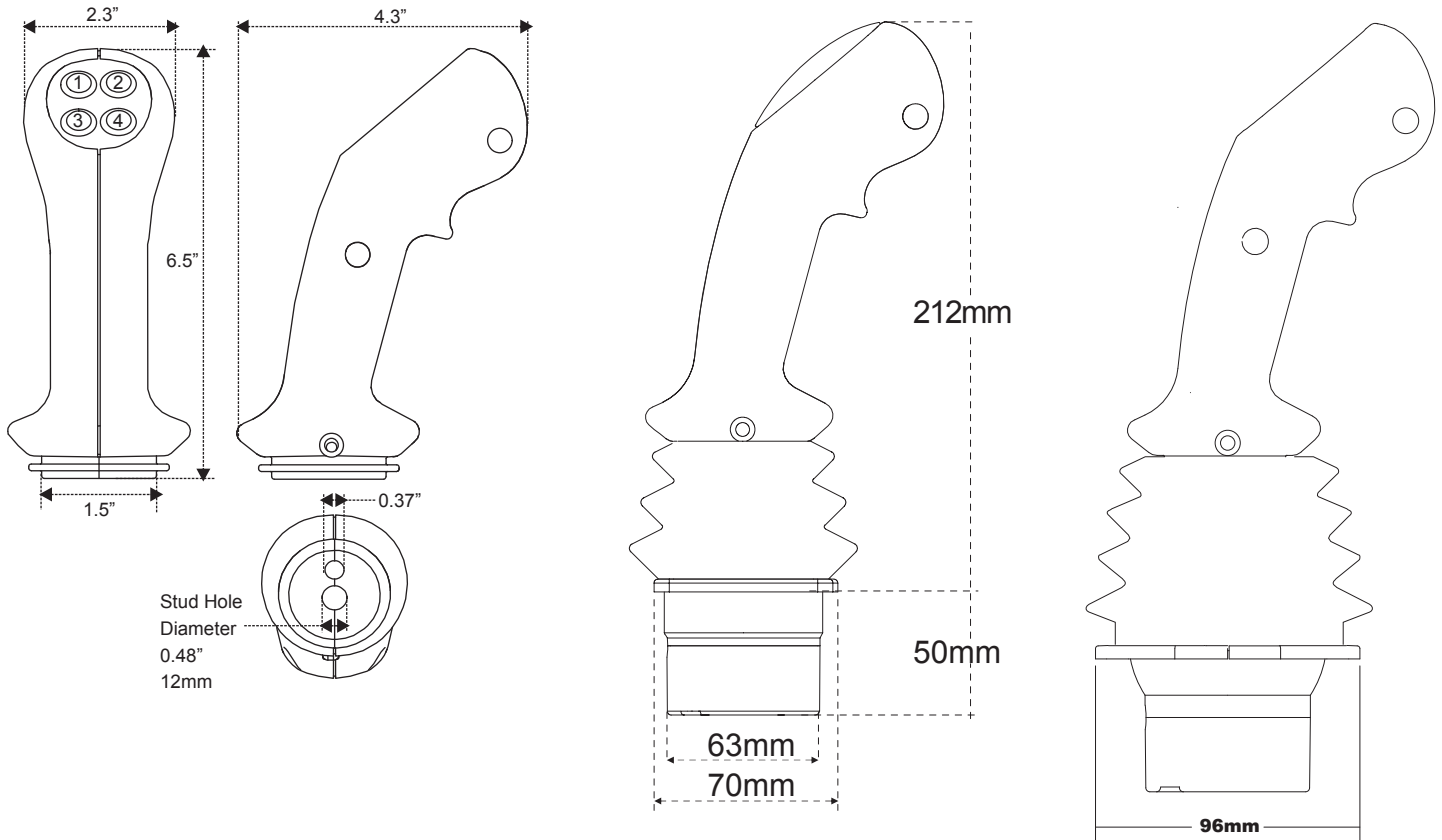
“J” Overlay Dimensions



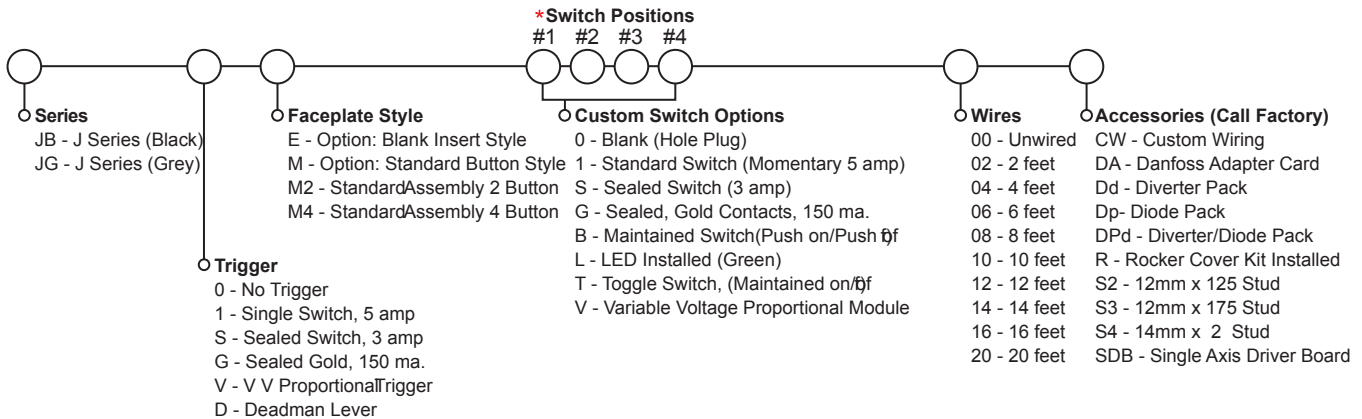
“J” Handle Faceplate Samples



“J” Series Handle Technical Information



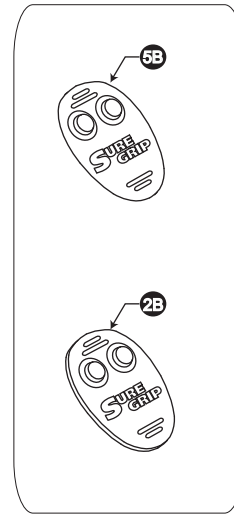
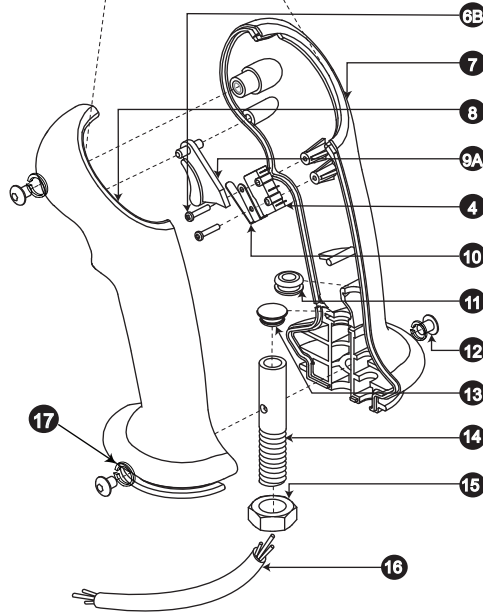
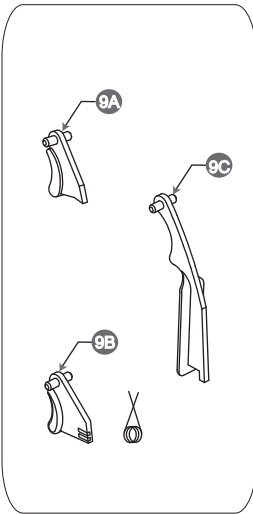
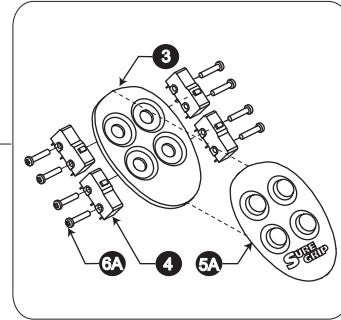
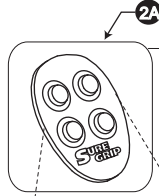
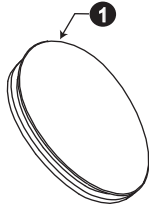
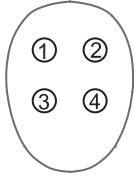
“J” Handle Customer Order Guide



"J" Series Handle Technical Information

"J" Handle Parts List

Switch Guide



FLG	PART#	DESCRIPTION	FLG	PART#	DESCRIPTION
1	J-FP-00	"J" Blank Faceplate		ST-08-175	"J" Series Handle Mounting Stud: 12mm x 1.75
2A	J-FP-A4	"J" Series 4 Button Faceplate Assy.		ST-08-14x2	"J" Series Handle Mounting Stud: 14mm x 2
2B	J-FP-A2	"J" Series 2 Button Faceplate Assy.	15	NT-05	12 x 1.25 mm Jam Nut
3	J-FP-01	"J" Series Empty Faceplate	16	J1-M2-W	"J" Handle 2 Button Faceplate Wire Harness
4	SW-00	Handle Switch, L/S		J1-M4-W	"J" Handle 4 Button Faceplate Wire Harness
6A	J-ME-A4	"J" Series 4 Button Overlay	17	SC-20	10-32 Lockwasher
6B	J-ME-A2	"J" Series 2 Button Overlay			
6A	SC-03	2 x 7/16" Tapping Screw - Pan Head (Faceplate)			
6B	SC-21	2 x 9/16" Tapping Screw - Pan Head (Trigger)			
7	J-HL-02-G	"J" Series Handle Case Right - Grey (Black)			
8	J-HL-01-G	"J" Series Handle Case Left - Grey (Black)			
9A	C-TR-01	Single Trigger			
9B	TR-P1-A	Proportional Trigger/Spring Assy.			
9C	TR-D1-G	Deadman Trigger Lever - Grey (Black)			
10	LS-00	Leaf Spring for Trigger			
11	GR-01	3/8" x 1/4" Grommet			
12	SC-02SS	10-32 x 7/16" Capscrew - Button Head			
13	HP-01	3/8" Hole Plug			
14	ST-08-125	"J" Series Handle Mounting Stud: 12mm x 1.25			