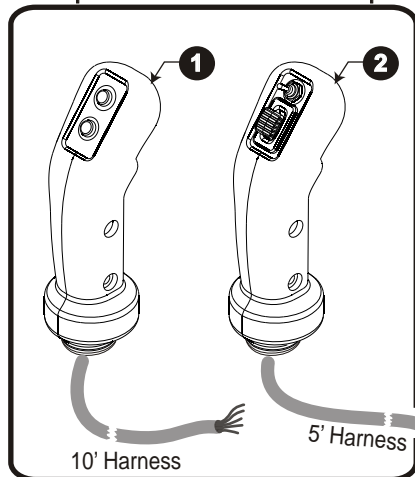


Attn: Department Managers

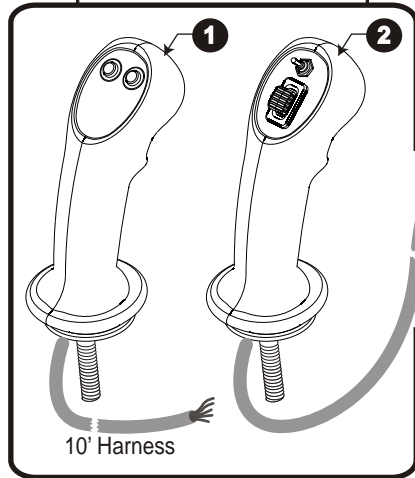
Increase your profits and your customers productivity with our

**NEW** Proportional Thumb Kit. (PTK)

**OPTION-A PTK-SG3V25**  
Proportional Thumb Kit: S Grips

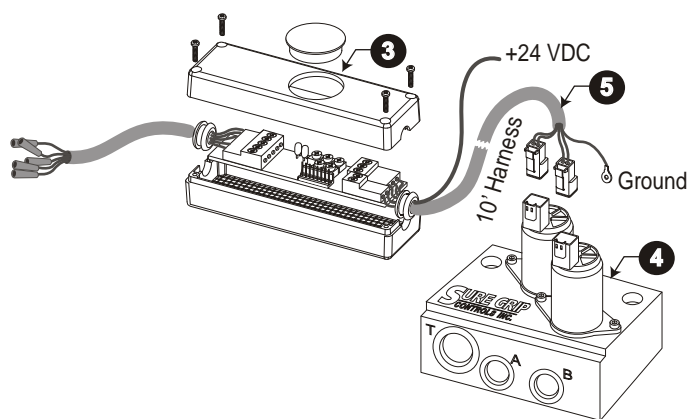


**OPTION-B PTK-JG3V25**  
Proportional Thumb Kit: J Grips



Features include:

- Sure Grip's new Proportional Slider Module for precision control of up to three attachments with the simple flip of the attachment selector switch.
- User friendly, field adjustable, inline driver board.
- Ergonomically designed matching control grips to maximize operator comfort and efficiency.



- Mounting hardware for easy installation, and a clean professional finished look and feel.
- Current compensated electronic output to valve for consistent and reliable proportional control.

The kit comes configured with either **OPTION-A** "S" or **OPTION-B** "J" series controls and includes the following:

- 1 A 3 Function control grip (Horn, Engine Power Boost etc.)
- 2 A proportional control grip with slider module, attachment selector switch and trigger
- 3 An inline proportional driver card SDB-P1-X
- 4 A Sure Grip Proportional Pilot Valve
- 5 Mounting hardware and valve wire harness

Contact us at 1-800-831-2278 or see us on the web at [www.suregripcontrols.com](http://www.suregripcontrols.com)

# Proportional Valve

#4-1413 McGill Road  
 Kamloops B.C. Canada V2C 6K7  
 Ph: (250) 374-2278

Fax: (250) 374-1099  
 Toll Free: 1-800-831-2278  
 www.suregripcontrols.com

**SURE GRIP™**  
 CONTROLS INC.



## 3/2-Way Proportional Pressure Reducing Valve

### TECHNICAL DATA (for 25 bar - version)

<b>Working Pressure (pAmin):</b>	20 bar
<b>Pump pressure (pPmax):</b>	50 bar
<b>Tank pressure (Ptmax):</b>	50 bar max. Static
<b>Flow A-&gt;T (QA):</b>	4 l/min at DP = 25 bar
<b>Flow P-&gt;A (QA):</b>	4 l/min at DP = 15 bar
<b>Leakage volume flow:</b>	< 0.1 l/min. (for I = 0)
<b>Control volume flow:</b>	< 0.5 l/min. (for I = max)
<b>Hysteresis:</b> (based on pulse width modulated control at 100 cycles per second)	≤ 3 % from 22.5 bar
<b>Dynamics</b> (as step response 100 % = 32 bar pA):	100 ms from 0 to 90 % 100 ms from 100 to 10 %
<b>Ambient temperature:</b>	-30°C to +80°C
<b>Medium temperature:</b>	-20°C to +80°C
<b>Purity of hydraulic fluid:</b>	17/14 under ISO 4406
<b>Insulation class:</b>	180°C (H under VDE 0580)
<b>Permissible hydraulic fluids:</b>	Hydraulic fluids HL and HLP under DIN 51524
<b>Installed position:</b>	Any
<b>Resistance R20</b>	5 Ohm (12 V) 21,2 Ohm (24 V)
<b>Limit Current I<sub>g</sub></b>	1,5 A (12 V) 0,75 A (24 V)
<b>Duty cycle:</b>	100 %
<b>Weight:</b>	0,23 kg

