

Ordering Guide

Order Instructions:

1. Each box has a color and number, which corresponds to joystick options below. Please review each option, as this will help you with choosing your part number. (Refer to our technical guides for more information on product options)
2. If you require a handle please look at handle ordering guides.
3. If a desired joystick option is not available contact a sales representative to discuss if there are alternative solutions for your application.
4. Enter your configured part number in the empty boxes provided below and contact a friendly Sure Grip sales representative to place your order.

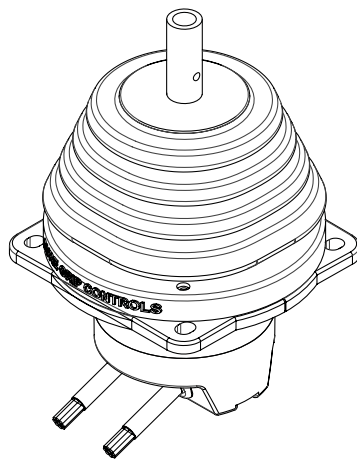
Your configured part number: **JSC** - - - -

1 2 3 4

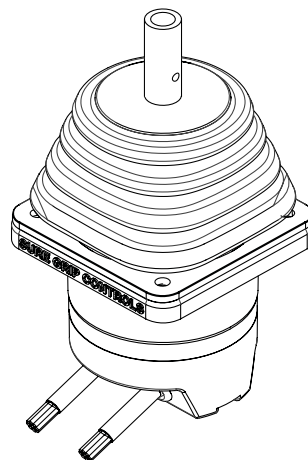
Example: **JSC** - JSC - 2 - C - JE

1. Joystick Model	7. Handle Options
JSC - Medium Size	NN - No Handle JE - JE Handle LE - LE Handle KE - Large Knob NE - Small Knob
2. Axis Options	
2 - Two Axis	
3. Output Options	
C - CAN	

Please note the difference between the JSL and JSM Joysticks. Examples below.



JSL Joystick



JSM Joystick